



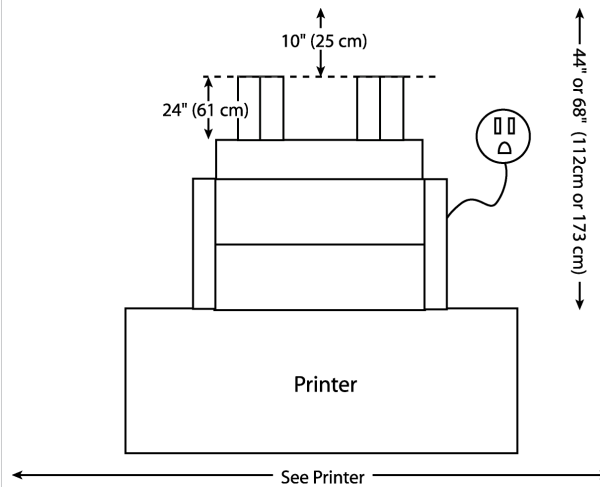
## KIP 1200 SPECIFICATIONS



### Space, Electrical, and Environmental Requirements

Compatible with	KIP 7100, KIP 7700, KIP 7900, KIP 9900, KIP 3100
Weight	176 lbs.
Dimensions	41" (W) x 34" (D) x 29-34" (H), 104 cm x 86 cm x 74-86 cm
Print Rack	Adjustable to fit E size prints
Minimum Distance from Wall	
Rear	10 - 34" (25 - 86 cm)
Left	6" (15 cm)
Right	6" (15 cm)
Front	See Printer Spec
Total Space	53" (W) x 44" or 68" with rack up 135 cm x 173 cm
Electrical (Dedicated)	120V, 5 Amps
Electrical Receptacle	Nema 5-15R
Print Rack	Adjustable to fit 250 A - E / A4-A0 size prints

Spatial Requirements



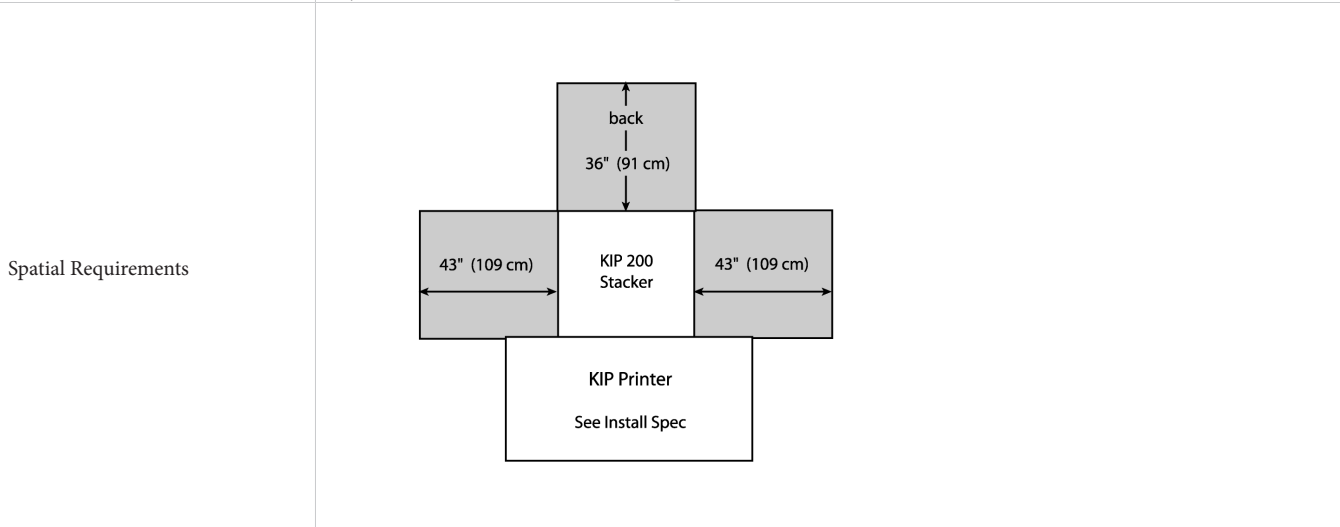


## KIP 200 SPECIFICATIONS



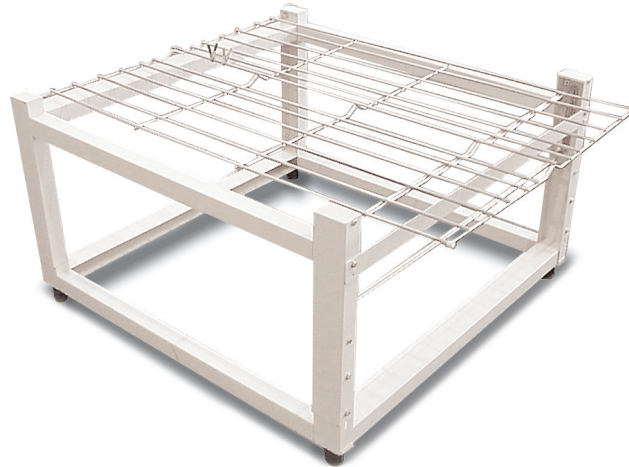
### Space, Electrical, and Environmental Requirements

Compatible with	KIP 7700, KIP 7900, KIP 9900, KIP 3100
Weight	80 lbs.
Dimensions	40" (W) x 30-34" (D) x 28-34" (H), 109 cm x 76-86 cm x 71-86 cm
Minimum Distance from Wall rear (with flat output down)	36" (91 cm)
Left	43" (109 cm)
Right	43" (109 cm)
Front	See Printer Spec
Total Space (Folder Only)	86" (W) x 86" (D) 219 cm x 219 cm
Print Rack	Adjustable to fit 250 A - E / A4 - A0 size prints





## KIP 1000 SUPER STACKER SPECIFICATIONS



### Space, Electrical, and Environmental Requirements

Compatible with	KIP 7900, KIP 7900, KIP 9900
Weight	110 lbs.(50 kg)
Dimensions	43"(W) x50"(D) x30"(H), 109 cm x 127 cm x 76 cm
Minimum Distance from Wall rear (with flat output down)	36" (91 cm)
Left	43" (109 cm)
Right	43" (109 cm)
Front	See Printer Spec
Total Space	86" (W) x 86" (D)
(Folder Only)	219 cm x 219 cm
Print Rack	Adjustable to fit 250 A – E /A4 - A0 size prints

